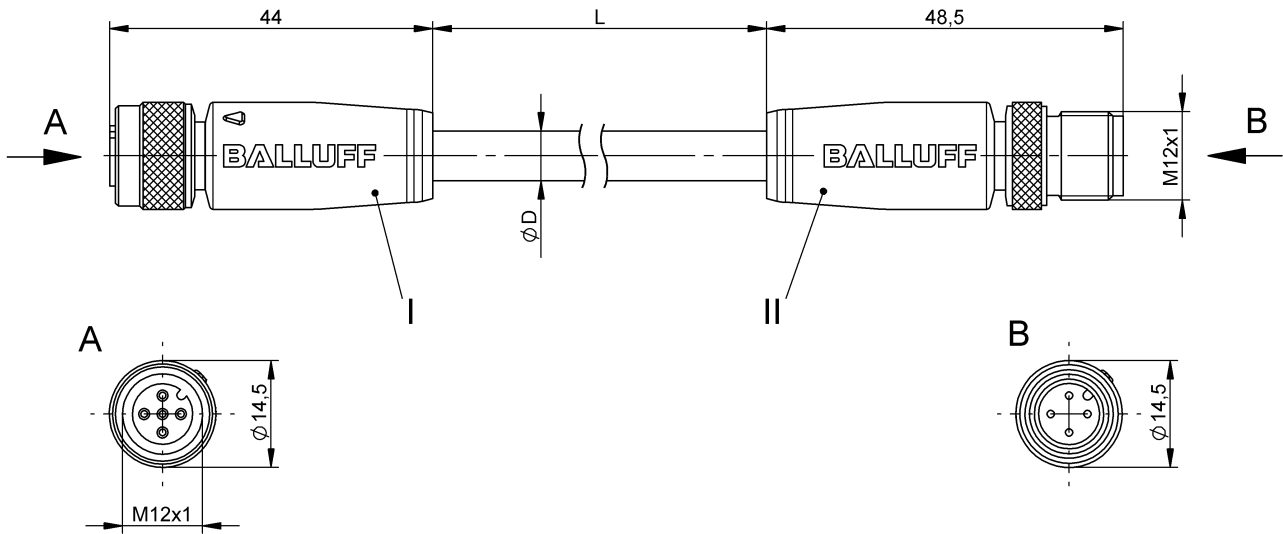


Double-Ended Cordsets
BCC W415-W414-3A-304-BW8434-015
Order Code: BCC0EJF

BALLUFF



Basic features

Application	Welding area
Approval/Conformity	CE WEEE

Electrical connection

Bending radius min., fixed cable	8 x D
Bending radius min., flexible cable	15 x D
Cable	TPE welding spark resistant gray, 1.5 m
Cable diameter D	4.80 mm ±0.20 mm
Conductor cross-section	0.34 mm ²
Connection 1	M12x1-Female, straight, 5-pin, A- coded
Connection 2	M12x1-Male, straight, 4-pin, A- coded
Number of conductors	4
System	Molded/Molded

Electrical data

Operating voltage U_b	250 VDC / 250 VAC
Rated current (40 °C)	4.0 A

Remarks

Flame-retarding
 Maximum temperature at outer jacket from weld spatter/beads short-time 800°C.
 Enclosure rating per IEC 60529, only in screwed state with the associated mating piece.

Environmental conditions

Cable temperature, fixed routing	-50...130 °C
Cable temperature, flexible routing	-40...125 °C
IP rating	IP65/IP65

Interface

Switching output	Complementary
-------------------------	---------------

Material

Cable jacket material, note	welding spark resistant
Cable jacket, material	TPE
Material contact carrier	PUR, special/PUR, special
Material contacts	Bronze/Brass
Material cover nut	Brass PTFE coated/Brass PTFE coated
Material grip	PUR, special/PUR, special

Mechanical data

Cable jacket, color	gray
Cable length L	1.50 m
Tightening torque pigtail	0.6 Nm/0.6 Nm

Connector Drawings



- | | |
|--------------|-----------------|
| II | I |
| PIN 1: brown | PIN 1: brown |
| PIN 2: white | PIN 2: white |
| PIN 3: blue | PIN 3: blue |
| PIN 4: black | PIN 4: black |
| | PIN 5: not used |

Wiring Diagrams

